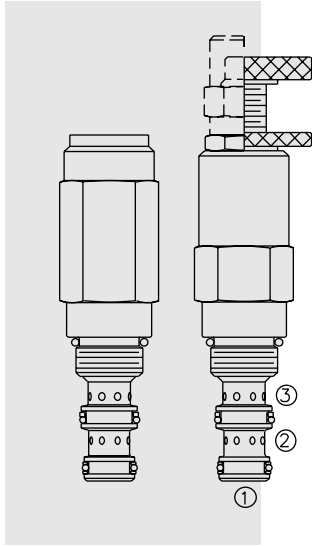


CR08-38 Bi-Directional Relief Valve, Vented



DESCRIPTION

A screw-in, cartridge-style, direct-acting, differential area, poppet-type, bi-directional relief valve, intended for use as a pressure limiting device in demanding hydraulic circuits.

OPERATION

The **CR08-38** is a direct-acting, dual cross-over relief valve in a single cartridge format. It blocks flow from ① to ② bi-directionally, with the spring chamber constantly drained at ③.

On attainment of a pre-determined pressure at either ① or ②, the poppet is forced from its seat. Back pressure on port ③ will affect the nominal setting on a 1:1 basis.

FEATURES

- Adjustments cannot be backed out of the valve.
- Adjustments prohibit springs from going solid.
- Hardened parts for long life.
- Industry common cavity.

RATINGS

Maximum Operating Pressure: 205 bar (3000 psi)

Adjustable Pressure Range: 68–205 bar (1000–3000 psi); Pressure is set at port ②

Proof Pressure: 345 bar (5000 psi)

Reseat Pressure: 80% of Crack; Crack: 0.96 lpm (0.25 gpm)

Maximum Difference for Crack Pressure in Both Directions: 20.7 bar (300 psi)

Flow Range: 30 lpm (8 gpm); See performance chart

Maximum Internal Leakage: When reseal to 75% of crack pressure: 0.4 cc/minute (8 drops/minute maximum)

Cycle Limitations: Internal seal life is limited to 300,000 cycles in either direction at maximum setting

Temperature: -40 to 120°C with Buna N seals

Filtration: See page 9.010.1

Fluids: Mineral-based or synthetics with lubricating properties at viscosities of 7.4 to 420 cSt (50 to 2000 ssu)

Installation: No restrictions; See page 9.020.1

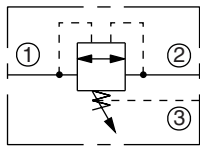
Cavity: VC08-3; See page 9.108.1

Cavity Tool: CT08-3XX; See page 8.600.1

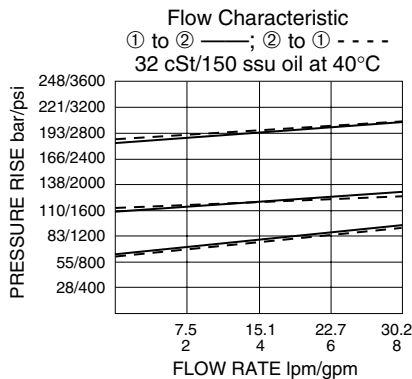
Seal Kit: SK08-3X-BM; See page 8.650.1

SYMBOLS

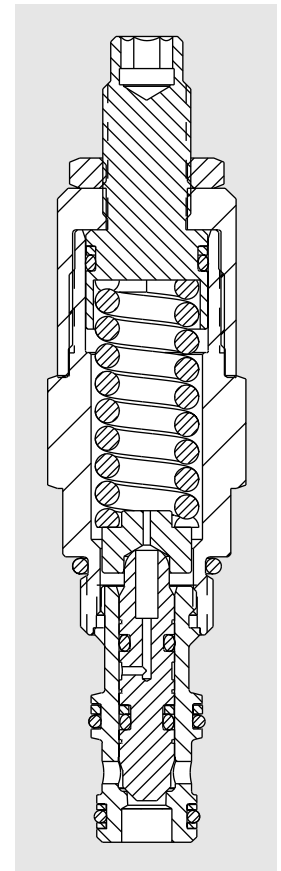
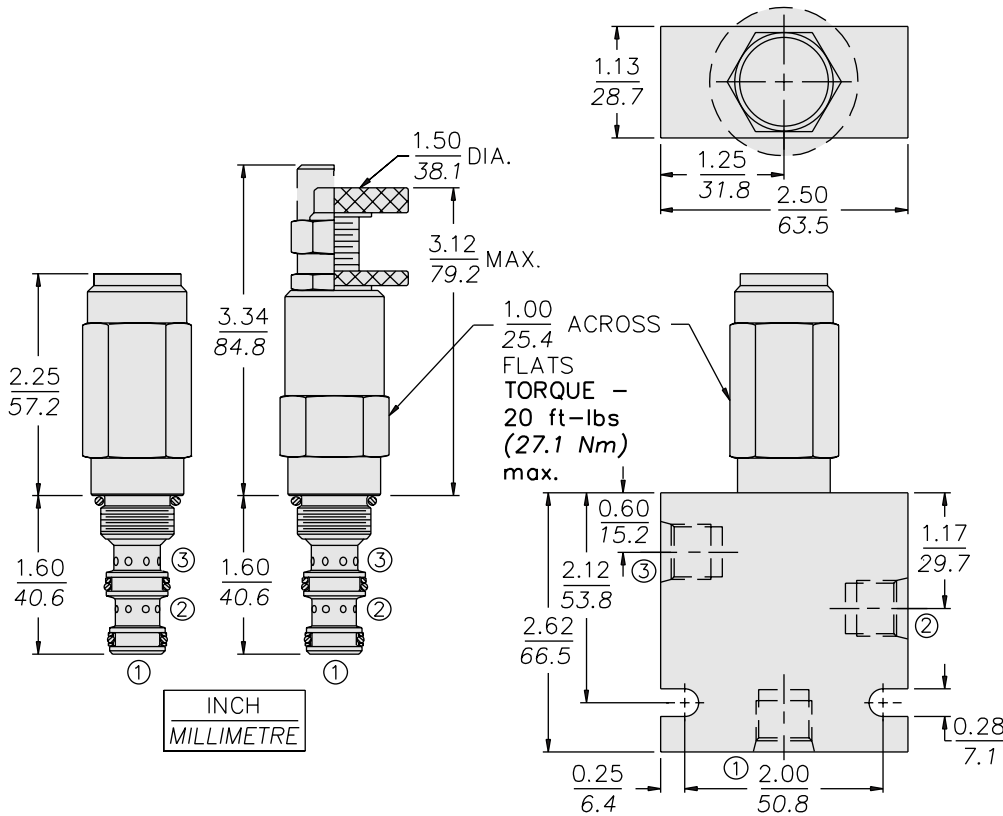
USASI/ISO:



PERFORMANCE (Cartridge Only)



DIMENSIONS



MATERIALS

Cartridge: Weight: 0.14 kg. (0.30 lbs.); Steel with hardened work surfaces. Zinc-plated exposed surfaces. Buna N O-rings and TFE back-ups standard. Anodized aluminum knob.

Standard Ported Body: Weight: 0.27 kg. (0.60 lbs.); Anodized high-strength 6061 T6 aluminum alloy, rated to 240 bar (3500 psi); see page 8.008.1. Ductile iron and steel bodies available; consult factory.

Note: Orifice Disc should not be used with this valve.

TO ORDER

